

VENTUS III

QUADTEK **VENTUS Series**

***R660 High Temperature Camera
Air Cooled, Air Purged***



Features

- Designed for continuous operation in temperatures up to 1700°C (3092°F)
- Air cooled, air purged
- High resolution color video pictures
- Electronic CCD iris
- Straight or oblique angle lenses
- Wide angled viewing
- Thermocouple over temperature sensing
- Ported viewing nozzle
- Low compressed air consumption
- Stainless steel construction

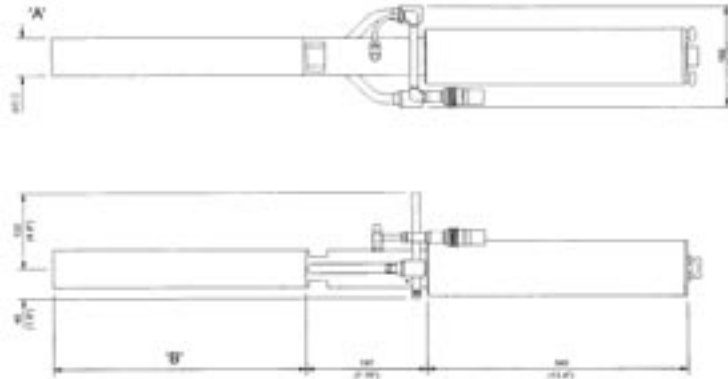
Applications

- Thermal Power Plant Boiler Viewing
- Industrial Waste Incinerator
- Cement Kiln Viewing
- Glass Tank Viewing
- Pulp and Paper Industry

Designed for continuous operation in temperatures up to 1700°C, the **VENTUS R660** Air Cooled Camera uses the latest technology to provide color television pictures of high temperature processes. Specifically designed for Thermal Power Plant Boiler Flame Viewing, Glass Tank and Cement Kiln viewing applications.

QUADTEK VENTUS Series

Specifications and Performance



Camera

Type	1/3" interline transfer CCD
Video Output	Composite 1 volt P.P. 75 ohm (optional Y/C setting)
Iris	Electronic CCD iris
Signal System	PAL or NTSC
Resolution	460 TV lines
Electrical Supply	12V dc 3.5W from control system

Optics

Aperture	Fixed			
Lens	Relay type			
Angle of View.....	Diagonal:	60°	90°	
	Horizontal:	50±3°	75±3°	
	Vertical:	38±3°	58±3°	
Iris	CCD electronic iris			
Camera Casing	BS 970 type 310 531 high temperature stainless steel			
Dimension	R660VHJ	R660VHK	R660VHL	R660VHM
A	ø60mm (2.36")	ø60mm (2.36")	ø60mm (2.36")	ø60mm (2.36")
B	398mm (15.7")	898mm (35.3")	398mm (15.7")	898mm (35.3")
FOVd	90°	90°	60°	60°
Weight	9kg (19.8lbs)	15kg (33lbs)	9kg (19.8lbs)	15kg (33lbs)
Offset Lens.....	R660V0A	R660V0B		
A	ø60mm (2.36")	ø60mm (2.36")		
B	404.5mm (15.9")	904.5mm (35.6")		
FOVd	55°	55°		
Temperature Sensor.....	K type mineral insulated			

Cooling System

Type	Aircooled air purged
Camera Temperature.....	1700°C (3092°F)
Cooling Water Supply	
Quality	Dry oil free instrument air ISO 8573-1, Class 1•7•2
Supply Pressure	7 to 8 bar (100psi)
Regulated Pressure	2 bar minimum
Flow Rate	10dm ³ s ⁻¹ @ 2.4 bar
Temperature	20°C (68°F)

Control Equipment & System Accessories

Gimbal Mounting Flange	R630MFA03A
Camera Cable (5m).....	R600CAB03A
Camera Cooling Hose (5m)	R600CHA03A
Filtering System	GAS.00160 40µm coalescing with shut off valve, pressure relieving regulator and manual drain filter
Standard Control System	R600CIA03A and R600CBA03A (or R600CBB03A or R600CRA03A) or R600CBD03A
Retraction Control System.....	R660RTA03A, R660RCA03A and R660CBA03A (or R660CBB03A or R660CRA03A) and R660RTC03A or R660RTD03A or R660RTE03A and R660FPA03A

Please refer to control system data sheets.

Imaging and Sensing Technology Corporation

204 IST Center
Horseheads, NY 14845 USA
Tel: 607-562-4300
800-432-1478
Fax: 607-562-4392
E-mail: sales@quadtek.com

19501 144th Avenue NE, Suite F1100
Woodinville, WA 98072 USA
Tel: 425-881-0778
Fax: 425-869-0667
E-mail: sales@quadtek.com

12954 Stonecreek Drive, Suite C
Pickerington, OH 43147 USA
Tel: 614-367-2050
Fax: 614-367-2464
E-mail: sales@quadtek.com

Station Road
Alton, Hampshire
GU34 2PZ, UK
Tel: 01420 541600
Fax: 01420 541700
E-mail: info@istcorp.co.uk

0905

IST reserves the right to amend or change the information on this sheet without prior warning.

www.istimaging.com

