

QUADTEK VENTUS Portable

Portable, High Temperature Camera Runs on Air—No Power Needed



Features

- Air powered, air cooled, air purged
- Designed for portable use in temperatures up to 1700°C (3092°F)
- High resolution color video picture
- Electronic CCD iris
- Wide angle viewing
- Thermocouple for high temperature sensing
- Low compressed air consumption
- Ported viewing nozzle
- Stainless steel construction

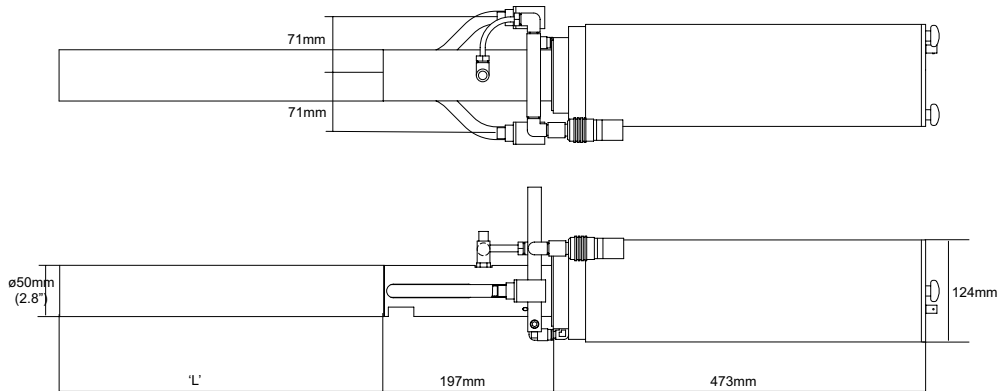
Applications

- Thermal power plant boiler flame viewing
- Waste incinerators
- Cement kilns
- Glass tanks/furnaces
- Pulp and paper processes
- Maintenance

The unique, patent pending, **Ventus Portable** camera is powered by air. Air in—video out. The camera is also air cooled and air purged. No electricity is needed. The camera is light weight and easily transported from place to place. It is ideal for inspection inside thermal power plant boilers during start-up and when fuel changes or fuel loads are made, and for process viewing in waste incinerators, glass tanks, and cement kilns. While specifically designed for temporary viewing it can also be permanently installed.

QUADTEK VENTUS Portable

Specifications and Performance



Camera

Type1/3" interline transfer CCD
 Video outputComposite 1 volt P.P. 75 ohm
 (optional Y/C setting)
 IrisElectronic CCD iris
 Signal systemPAL or NTSC
 Resolution460 TV lines
 Electrical supply12V dc 2.3W from air supply

Optics

ApertureFixed
 LensRelay type
 Angle of view
 Diagonal60° 90°
 Horizontal50° ±3° 75° ±3°
 Vertical38° ±3° 58° ±3°
 IrisElectronic CCD iris
 Camera casingBS:970 type 310 531 high
 temperature stainless steel
 DimensionR660ACA R660ACB R660ACD R660ACE
 Aø60mm (2.36") ø60mm (2.36") ø60mm (2.36") ø60mm (2.36")
 B398mm (15.7") 898mm (35.3") 398mm (15.7") 898mm (35.3")
 FOVd90° 90° 60° 60°
 Weight11kg (24.2lbs) 17kg (37.4lbs) 11kg (24.2lbs) 17kg (37.4lbs)
 Temperature SensorK type mineral insulated
 thermocouple

Cooling System

TypeAir cooled, air purged
 Camera temperature1700°C (3092°F)

Compressed Air

QualityDry oil free instrument air
 ISO 8573-1, Class 1 • 7 • 2
 Supply pressure7 to 8 bar (100psi)
 Regulated pressure2 bar minimum
 Flow rate10dm³ s⁻¹ @ 2.4 barg
 Temperature20°C (68°F)

System Accessories

Gimbal mounting flangeR630MFA03A
 Camera cooling hose(5m) R600CHA03A
 or length as requiredR600CHA04A
 Filtering systemGAS.00160
 40µm coalescing with shut off valve, pressure relieving regulator and
 manual drain filter.
 Tripod, VCR and monitors are available as required.

Auxiliary Power In/Out

Power Outlet via 2- 1mm Jack12V dc, 0.5A (max)
*May be used to power a portable
 LCD Monitor. Alternatively, this jack
 may be used to supply power to the
 camera in a workshop environment
 where cooling air is not required.*
 Power Inlet via 2- 1mm Jack12V dc, 0.15A

Imaging and Sensing Technology Corporation

204 IST Center
 Horseheads, NY 14845 USA
 Tel: 607-562-4300
 800-432-1478
 Fax: 607-562-4392
 E-mail: sales@quadtek.com

19501 144th Avenue NE, Suite F1100
 Woodinville, WA 98072 USA
 Tel: 425-881-0778
 Fax: 425-869-0667
 E-mail: sales@quadtek.com

12954 Stonecreek Drive, Suite C
 Pickerington, OH 43147 USA
 Tel: 614-367-2050
 Fax: 614-367-2464
 E-mail: sales@quadtek.com

Station Road
 Alton, Hampshire
 GU34 2PZ, UK
 Tel: 01420 541600
 Fax: 01420 541700
 E-mail: info@istcorp.co.uk