



MIRION
TECHNOLOGIES

High Temperature. **Safety.**

M408

Two Stage Air Filter



Nuclear
Power



Homeland
Security
& Defense



Industrial and
Manufacturing



Healthcare



Labs and
Education

OVERVIEW

The IST-Quadtek video imaging systems owe much of their long-life and reliability to the use of cooling purge air which serves to cool and clean the camera enclosure and lens. A constant supply of clean air is essential for proper camera operation and protection. The supply air used for this purpose is a potential source of dirt, oil, water, and chemical contaminants and requires filtering before use. The M408 Two-Stage Air Filter helps to provide clean air in industrial environments. The M408 is used in applications where there is a higher air contaminate content level and where local control and regulation of the air supply to the camera is required.

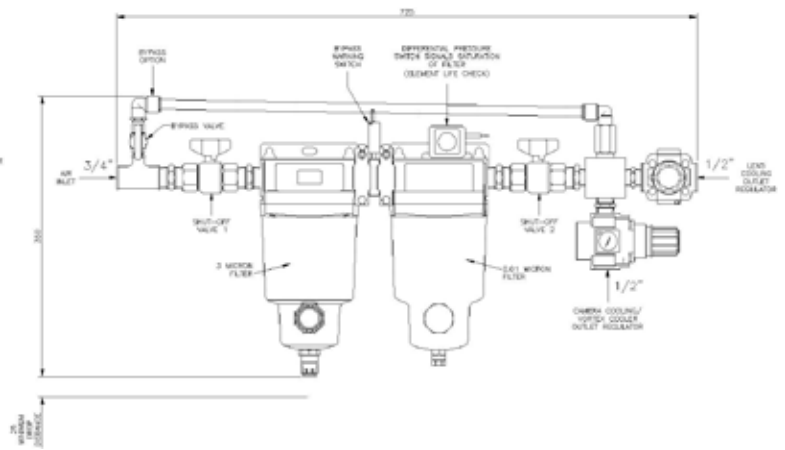
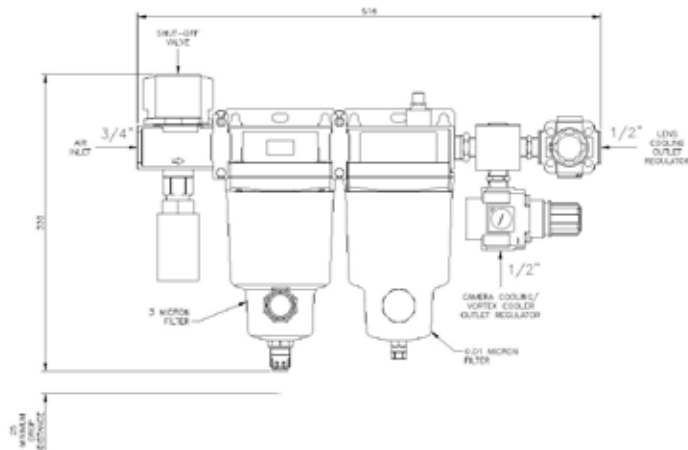
KEY FEATURES

- A three-micron filter removes solids and bulk liquids
- Second 0.01 micron filter removes remaining oil vapors and corrosive gases
- Independent gauges and regulators monitor air flow for camera and lens
- Bypass option for easy filter replacement
- Low maintenance and no tools required
- Rugged design with low profile pressure indicators
- Additional water separator as an option

Imaging Systems

Specifications	
Maximum Operating Temperature Range	5°C to 60°C (41°F to 140°F)
Maximum System Air Flow (WET)	3700 LPM (130 scfm) @ 0.7 MPa (100 psig)
Maximum Inlet Pressure	1.5 MPa (217 psig, 15 bar g)
Lens Cooling Pressure Regulation	0 to 58 psig (0 to 400 kPa) (0~4 bar g)
Pressure Regulation Purge Camera Cooling Vortex Camera Cooling	0 to 58 psig (0 to 400 kPa) (0~4 bar g) 0 to 160 psig (34 to 1104 kPa)
M408 Air Filter with Vortex Regulator	516mm W x 330mm H x 130mm D (20.3" W x 13"H x 5.1" D)
Maximum Dimensions (Bypass Version)	725mm W x 350mm H x 130mm D (28.5 W x 13.8"H x 5.1" D)
M408 Air Filter with Purge Air regulator	GAS.00841 gauge (0~4 bar)
M408 Air Filter with Options	GAS.00844, includes: Purge air regulator Filter bypass with low pressure switch Alarm contacts for electronic service indicator
M408 Air Filter with Vortex Regulator	GAS.00840 gauge (0~10 bar)
M408 Air Filter with Options	GAS.00843 gauge (0~4 bar), includes: Vortex Regulator Filter bypass with low pressure switch Alarm contacts for electronic service indicator
M408 Cooling Hose - Reinforced Rubber (-40 to 100°C)	6 metres (20 feet)
Net Weight (actual weight varies with options selected)	8 kg (18 lbs)
Shipping Weight	Approximately 9 kg (20 lbs)

Options	
BSP to NPT Adaptor Kit	KIT.00060
High Temperature Air Hoses (x 10m) [33ft]	/HT_408
High Temperature Air Hoses (x6m) [20 ft]	/HT6M_408
Water Separator	/WS_400



> UK - FARNBOROUGH

Mirion Technologies, Ltd
2 Columbus Drive, Farnborough, Hampshire, GU14 0NZ
T: +44 1252 375137 | F: +44 1252 391890 | E: quadtek.sales@mirion.com

> USA - OHIO

Mirion Technologies (IST) Corporation
12954 Stonecreek Drive, Suite C, Pickerington, OH 43147
T: +1 614 367 2050 | F: +1 614 367 2464 | E: isdquadtekusa@mirion.com

> USA - WASHINGTON

Mirion Technologies (IST) Corporation
19501-144th Ave NE, Suite C400, Woodinville, WA98072
T: +1 425 487 3385 | F: +1 425 487 3375 | E: isdquadtekusa@mirion.com

> GERMANY - BONN

Mirion Technologies
Kaiser-Konrad-Str 93a, D53225, Bonn
T: +49 228 625088 | F: +49 228 626 300 | E: rees.sales@mirion.com

Please contact your Mirion Technologies representative to advise any specific vibration or seismic qualification.

Copyright © 2014 Mirion Technologies, Inc. or its affiliates. All rights reserved. Mirion, the Mirion logo, and other trade names of Mirion products listed herein are registered trademarks or trademarks of Mirion Technologies, Inc. or its affiliates in the United States and other countries. Third party trademarks mentioned are the property of their respective owners. Specifications may vary according to system configuration. We reserve the right to modify or amend the information herein without prior warning.

The management system governing the manufacture of this product is ISO 9001:2008 certified.