



**MIRION**  
TECHNOLOGIES

High Temperature. **Safety.**

# M530 LYNX

High Temperature Color Camera Series



Nuclear  
Power



Homeland  
Security  
& Defense



Industrial and  
Manufacturing



Healthcare



Labs and  
Education

## OVERVIEW

The IST-Quadtek M530 Series of Visible Light High-Temperature Color Cameras is designed to give you the flexibility to customize electronics, lenses, filters and other options to provide continuous monitoring of your high-temperature internal processes. Straight, oblique, or right angle lens tube options are available that offer more flexibility in mounting the camera. Add an M721 remote auto iris to adjust the camera iris from the comfort of the control room providing a clear picture from start-up to full load.

## KEY FEATURES

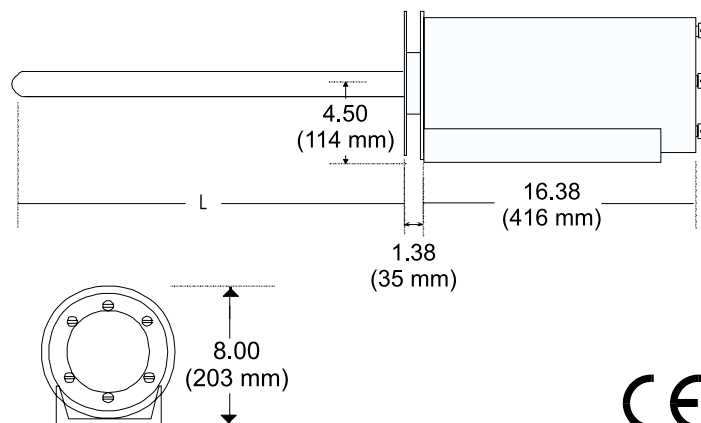
- **Rotary Kilns and Coolers**  
Provide continuous product quality monitoring. Observe ring formation, burner flame and product as it moves down the kiln or cooler. See potential upsets early.
- **Coal Fired Utility Boilers**  
Monitor flame shape to adjust burners for maximum combustion and minimum fuel usage.
- **Bark Fired Boiler**  
Observe fuel distribution, bed and feeder monitoring, combustion and flame characteristics.
- **Glass Melt Tanks**  
View for flame impingement and monitor the crown for dripping. Easily see batch load, flow pattern and any un-melted surface material.

Imaging Systems

## SPECIFICATIONS AND PERFORMANCE

Camera	
<b>Power Requirements</b>	85-265 VAC, 47-440 Hz
<b>Camera Detector</b>	1/2" solid state color image sensor
<b>System Resolution</b>	>450 lines
<b>Video</b>	1.0 V p-p, 75 ohm, CCTV signal /VTN: RS170-NTSC or /VTP: CCIR-B-PAL video timing
<b>Control</b>	/AIN: Manual focus and iris adjustment on back /AIR: Remote iris adjustment with M721 Remote Auto Iris Controller

Lens	
<b>Construction</b>	Air or water cooled 304 stainless steel outer shroud. Sapphire window for maximum environmental protection.
<b>Lens Options</b>	/L: Straight view, /RAL: right angle with 90° offset optics, /OAL: oblique angle with 45° offset optics, /WCL: water cooled
<b>Lengths</b>	STD /L30: L=27.7" (704mm) or /OAL30: L=26.7" (678mm) Other lenses available. Please contact your sales representative.
<b>Field of View</b>	Wide: 75°H x 56°V Medium: 60°H x 45°V Narrow: 35°H x 26°V
<b>Diameter</b>	/L: 38mm (1.5") /RAL & /OAL: 51mm (2.0") /WCL: 57mm (2.25")
<b>Cooling Requirements</b>	Instrument quality air, 12-19 dm3/sec (25-40 SCFM) @ 5-15 psig (34-103 kPa) required for straight view lens (to ISO 8573-1, Class 1.7.2)
<b>Environment</b>	1621°C (2950°F) with proper cooling
<b>Thermocouple</b>	/TJ: Type J thermocouple option /TK: Type K thermocouple option



Enclosure	
<b>Construction</b>	/CEI: Corrosion-resistant, insulated, air-cooled, NEMA 4; /CEW: Corrosion-resistant, water-cooled, NEMA 4
<b>Cooling Type</b>	/CCP: Air purged with check valve, 1 SCFM @ 2 PSI (0.5 dm3/sec @ 14 kPa) /CCV: Vortex cooling 13 dm3/sec @ 690 kPa (25 SCFM @ 100 PSI); Instrument quality air required.
<b>Ambient Environment</b>	Max. 60°C (140°F) with negligible radiant heat load. Water cooled option available to handle high radiant heat environment

Mechanical	
<b>Video Output Jack</b>	Female PL-259 "UHF" type
<b>Power Input Jack</b>	Removable waterproof miniplug (JOY type TP, female 3-conductor; mating power cord provided)
<b>Enclosure Cooling Input</b>	1/4" brass quick-disconnect nipple; mating coupler (Snaptite BVHC4-4F) provided
<b>Lens Cooling Input</b>	1/2" brass quick-disconnect nipple; mating coupler (Snaptite BVHC8-8F) provided
<b>Weight</b>	14kg (30 pounds) for air-cooled configuration (lens and camera)

### > UK - FARNBOROUGH

Mirion Technologies, Ltd  
2 Columbus Drive, Farnborough, Hampshire, GU14 0NZ  
T: +44 1252 375137 | F: +44 1252 391890 | E: quadtek.sales@mirion.com

### > USA - OHIO

Mirion Technologies (IST) Corporation  
12954 Stonecreek Drive, Suite C, Pickerington, OH 43147  
T: +1 614 367 2050 | F: +1 614 367 2464 | E: isdquadtekusa@mirion.com

### > USA - WASHINGTON

Mirion Technologies (IST) Corporation  
19501-144th Ave NE, Suite C400, Woodinville, WA98072  
T: +1 425 487 3385 | F: +1 425 487 3375 | E: isdquadtekusa@mirion.com

### > GERMANY - BONN

Mirion Technologies  
Kaiser-Konrad-Str 93a, D53225, Bonn  
T: +49 228 625088 | F: +49 228 626 300 | E: rees.sales@mirion.com

Please contact your Mirion Technologies representative to advise any specific vibration or seismic qualification.

Copyright © 2014 Mirion Technologies, Inc. or its affiliates. All rights reserved. Mirion, the Mirion logo, and other trade names of Mirion products listed herein are registered trademarks or trademarks of Mirion Technologies, Inc. or its affiliates in the United States and other countries. Third party trademarks mentioned are the property of their respective owners. Specifications may vary according to system configuration. We reserve the right to modify or amend the information herein without prior warning.

The management system governing the manufacture of this product is ISO 9001:2008 certified.